

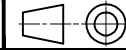
To contact us - Tel +44 (0)1279-729051

email: info@powerproducts.co.uk

**IF IN DOUBT  
ASK**

All information contained in this document is confidential and the copyright reserved

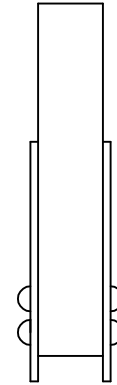
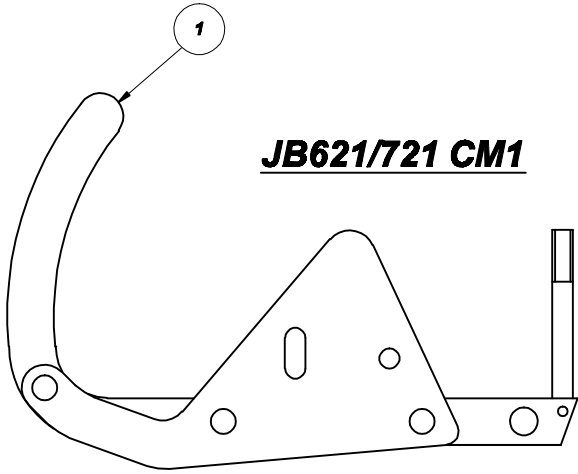
Used on dwg MANUAL



**P100905**

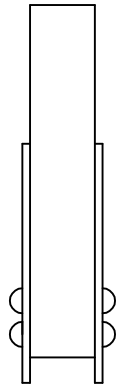
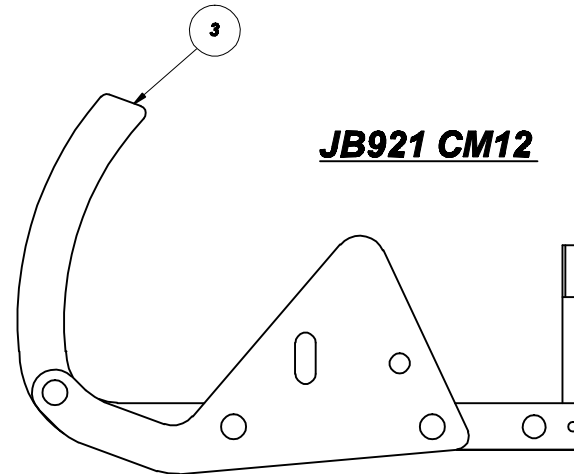
| Quantity |   |   |   | No | Description                  | Detail No | OEM Part No |
|----------|---|---|---|----|------------------------------|-----------|-------------|
| D        | C | B | A |    |                              |           |             |
|          |   |   |   | 1  | MOVING CONTACT-JB621/721 CM1 | P100031/A |             |
|          |   |   |   | 2  | MOVING CONTACT-JB821 CM1     | P100033/A |             |
|          |   |   |   | 3  | MOVING CONTACT-JB921 CM12    | P100029/A |             |

**JB621/721 CM1**

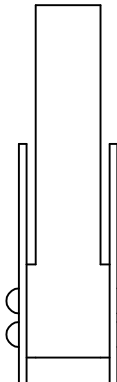
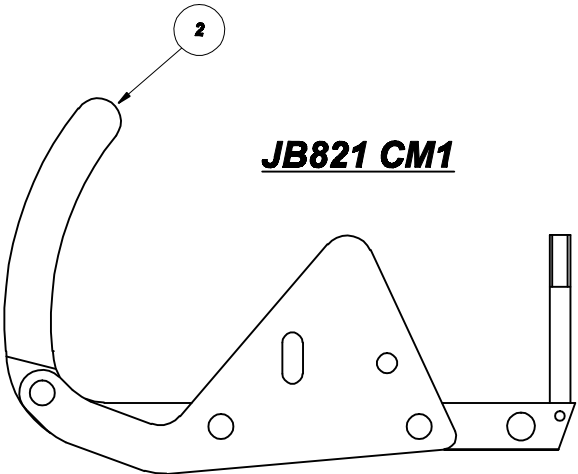


**FOR JB424 SEE DRAWING P100910**

**JB921 CM12**



**JB821 CM1**



**SUB STATION  
SUPPLY  
SOLUTIONS**

**PATTERN MOVING CONTACTS  
FOR ENGLISH ELECTRIC TYPES  
JB621/721, JB821 & JB921 SWGR**

Rev No

**P100905**

REV

**0**

| No | Revision notes | Date/Sig | No | Revision notes | Date/Sig | No | Revision notes | Date/Sig | Scale NTS | Drawn ACS | Checked AJT | Approved AJT | Date 28/03/10 | Sheet No |
|----|----------------|----------|----|----------------|----------|----|----------------|----------|-----------|-----------|-------------|--------------|---------------|----------|
|    |                |          |    |                |          |    |                |          |           |           |             |              |               |          |