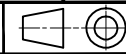


To contact us - Tel +44 (0)1279-729051 email: info@powerproducts.co.uk

**IF IN DOUBT
ASK**

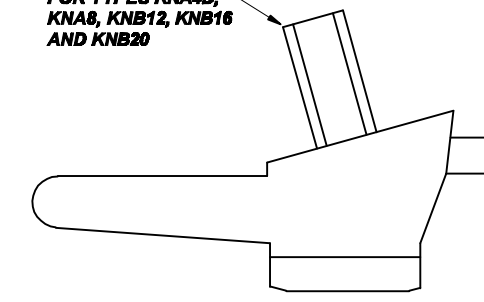
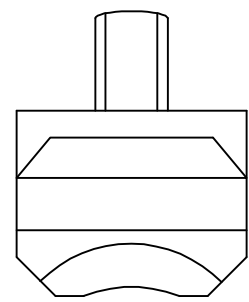
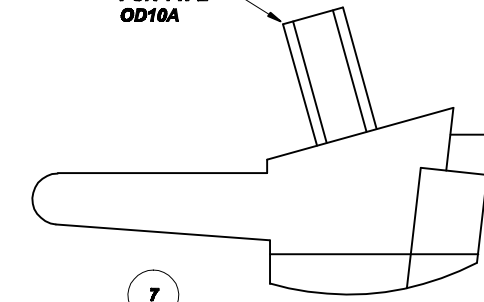
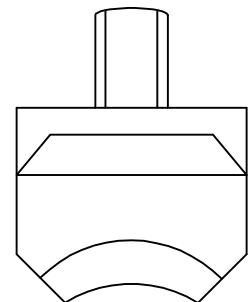
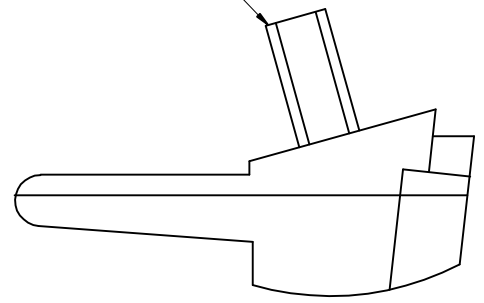
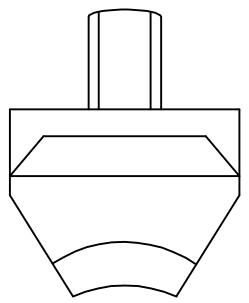
All information contained in this document is confidential and the copyright reserved

Used on dwg MANUAL



P340917

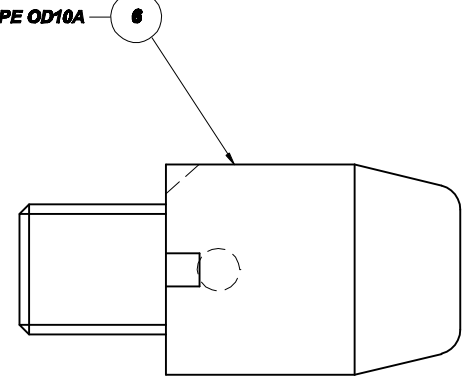
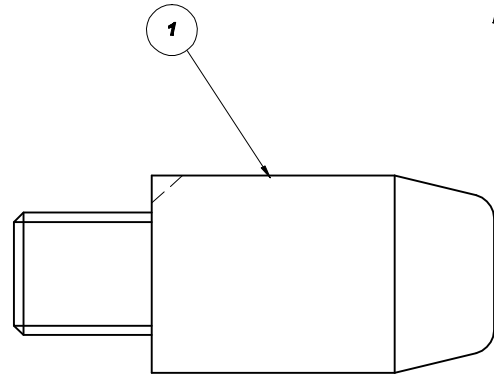
THIS IS A SPECIAL CONTACT 3



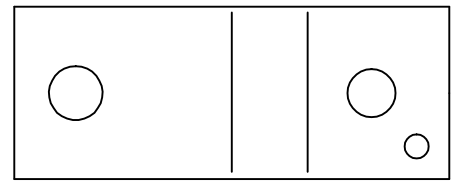
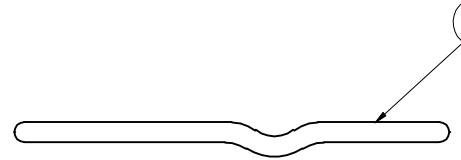
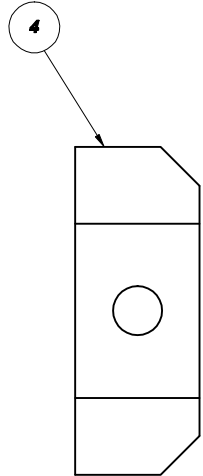
FOR TYPE OD10A

FOR TYPES KNA4D, KNA8, KNB12, KNB16 AND KNB20

Quantity				No	Description	Detail No	Nat Com Code	OEM Part No
D	C	B	A					
		6	6	1	MOVING CONTACT TIP(OFA12)	P340041/B		
			24	2	FIXED CONTACT FINGER	P340042/A		2D59152A
		36		3	FIXED CONT FINGER(SPECIAL)	P340041/A		
	1			4	FLEX CONNECTION SUPPORT	P340042/3		
	1			5	FLEXIBLE CONNECTION	P340042/4		
				6	MOVING CONTACT TIP	P340087/A	41-95-006	2D25321A
				7	FIXED CONTACT FINGER	P340042/B		2D49948A



FOR TYPE OD10A 6



**SUB STATION
SUPPLY
SOLUTIONS**

**PATTERN FIXED & MOVING
CONT'S - GEC TYPES OFA12,
OD10A, KNA4, 8, 12, 16 & 20**

No	Revision notes	Date/Sig	No	Revision notes	Date/Sig	No	Revision notes	Date/Sig	Scale NTS	Drawn ACS	Checked AJT	Approved AJT	Date 01/03/10	Sheet No	P340917	REV 0
----	----------------	----------	----	----------------	----------	----	----------------	----------	-----------	-----------	-------------	--------------	---------------	----------	----------------	----------