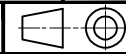


To contact us - Tel +44 (0)1279-729051 email: info@powerproducts.co.uk

**IF IN DOUBT  
ASK**

All information contained in this document is confidential and the copyright reserved

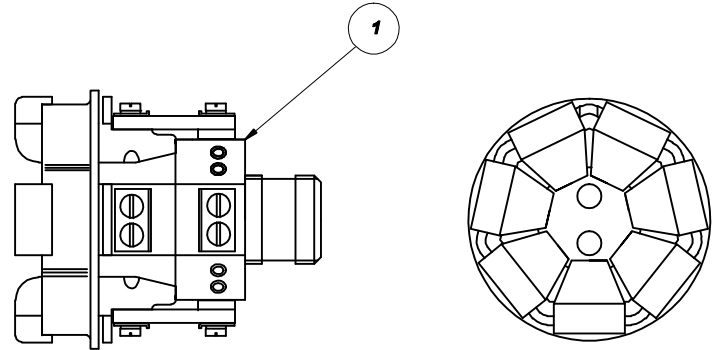
Used on dwg MANUAL



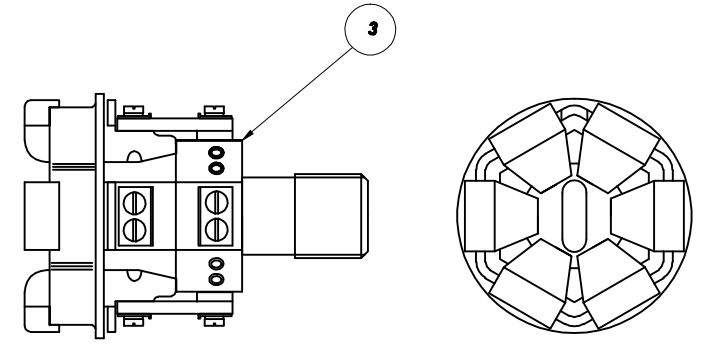
**P340923**

Quantity				No	Description	Detail No	OEM Part No
D	C	B	A				
			6	1	FIXED CONTACT - BVRP3	P340016/A	
				2	FIXED CONTACT - 7 FINGER	P340023/A	
				3	FIXED CONTACT - 6 FINGER	P340024/A	
				4	FIXED CONTACT - BVRP6	P340028/A	
			6	5	MOVING CONTACT - BVRP3	P340026/1	

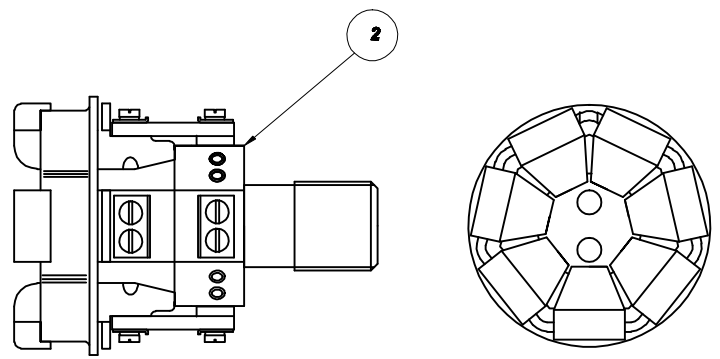
**NOTE: SEE DRAWING P340901 FOR BVRP17 CONTACTS**



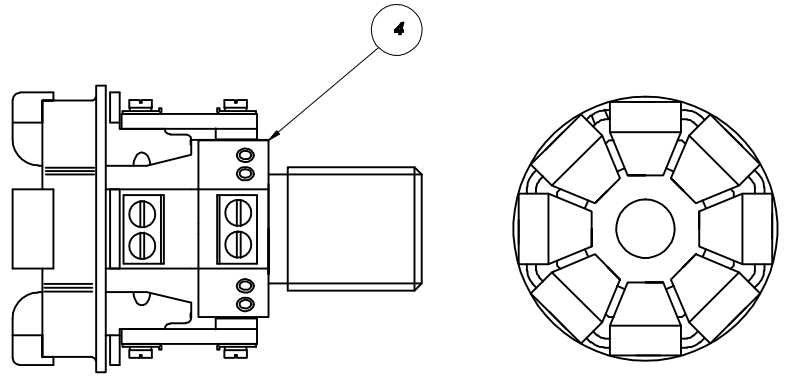
**BVRP3 NOTE - NOT ALL FINGERS SHOWN FOR CLARITY**



**NOTE - NOT ALL FINGERS SHOWN FOR CLARITY**



**NOTE - NOT ALL FINGERS SHOWN FOR CLARITY**



**BVRP 5 NOTE - NOT ALL FINGERS SHOWN FOR CLARITY**

**SUB STATION  
SUPPLY  
SOLUTIONS**

**PATTERN FIXED AND  
MOVING CONTACTS FOR  
GEC BVP/BVRP RANGE**

No	Revision notes	Date/Sig	No	Revision notes	Date/Sig	No	Revision notes	Date/Sig	Scale NTS	Drawn ACS	Checked AJT	Approved AJT	Date 01/03/10	Sheet No	<b>P340923</b>	REV <b>0</b>
----	----------------	----------	----	----------------	----------	----	----------------	----------	-----------	-----------	-------------	--------------	---------------	----------	----------------	-----------------