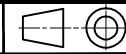


To contact us - Tel +44 (0)1279-729051 email: info@powerproducts.co.uk

**IF IN DOUBT
ASK**

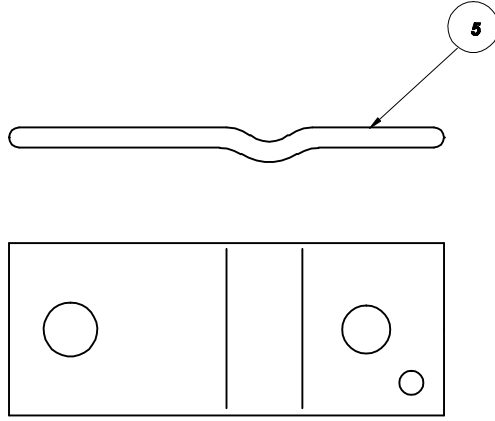
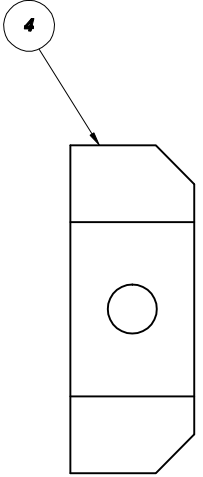
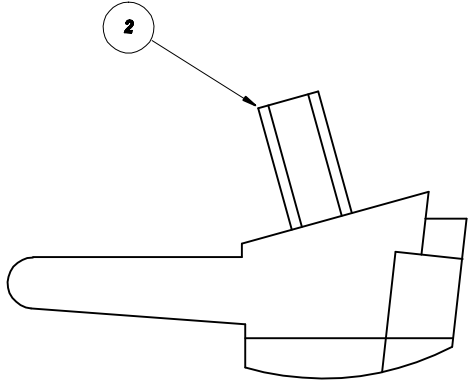
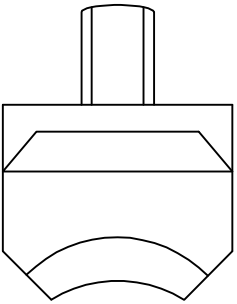
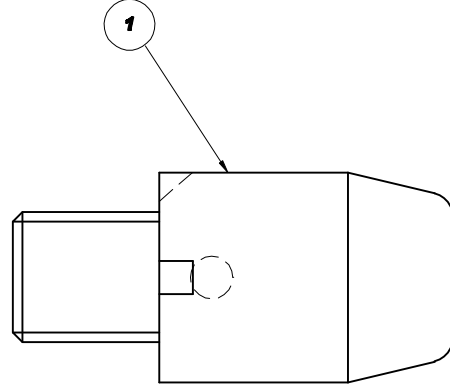
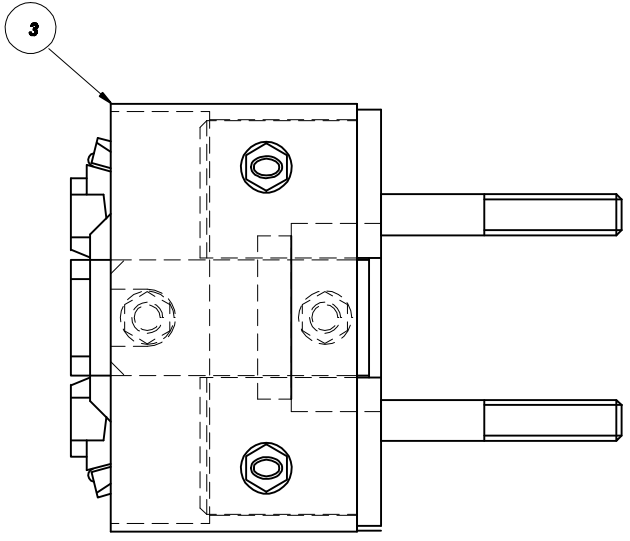
All information contained in this document is confidential and the copyright reserved

Used on dwg MANUAL



P340927

| Quantity | | | | No | Description | Detail No | Nat Com Code | OEM Part No |
|----------|---|---|---|----|-------------------------|-----------|--------------|-------------|
| D | C | B | A | | | | | |
| | | | | 1 | MOVING CONTACT TIP | P340057/A | 41-95-006 | 2D25321A |
| | | | | 2 | FIXED CONTACT FINGER | P340042/A | | 2D59152A |
| | | | | 3 | FIXED CONTACT ASSEMBLY | P340068/A | | |
| | | | | 4 | FLEX CONNECTION SUPPORT | P340042/3 | | |
| | | | | 5 | FLEXIBLE CONNECTION | P340042/4 | | |



**SUB STATION
SUPPLY
SOLUTIONS**

**PATTERN FIXED AND
CONTACTS FOR TYPE
OD11 SWITCHGEAR**

| | | | | | | | | | | | | | | | | |
|----|----------------|----------|----|----------------|----------|----|----------------|----------|-----------|-----------|--------------|---------------|---------------|----------|----------------|-----------------|
| No | Revision notes | Date/Sig | No | Revision notes | Date/Sig | No | Revision notes | Date/Sig | Scale NTS | Drawn ACS | Checked A/JT | Approved A/JT | Date 01/03/10 | Sheet No | P340927 | REV 0 |
|----|----------------|----------|----|----------------|----------|----|----------------|----------|-----------|-----------|--------------|---------------|---------------|----------|----------------|-----------------|